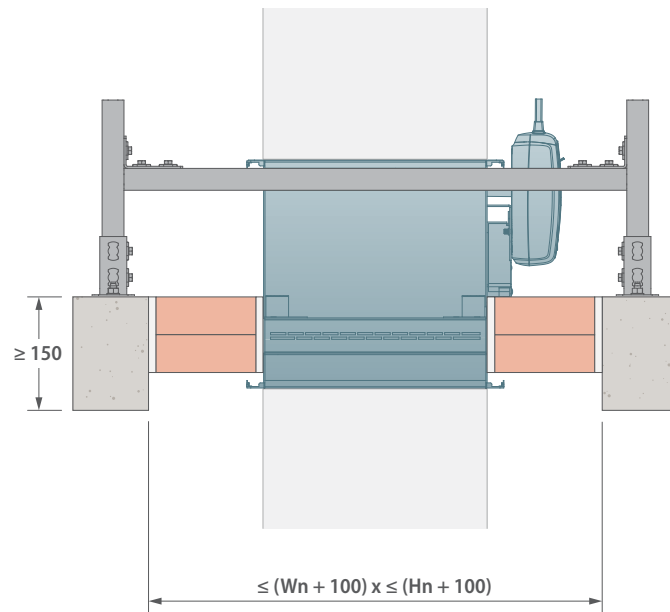
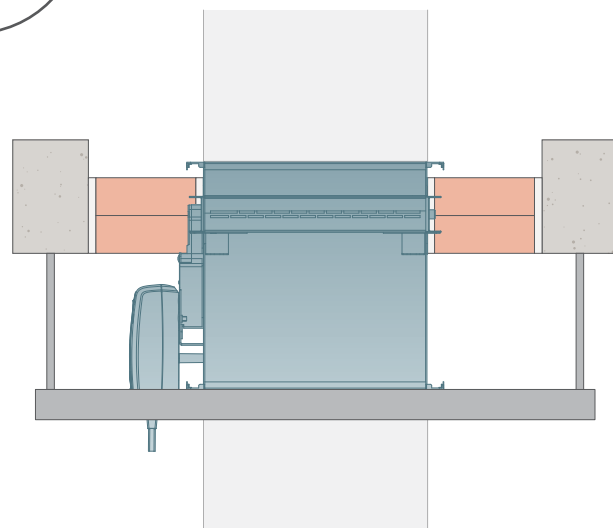
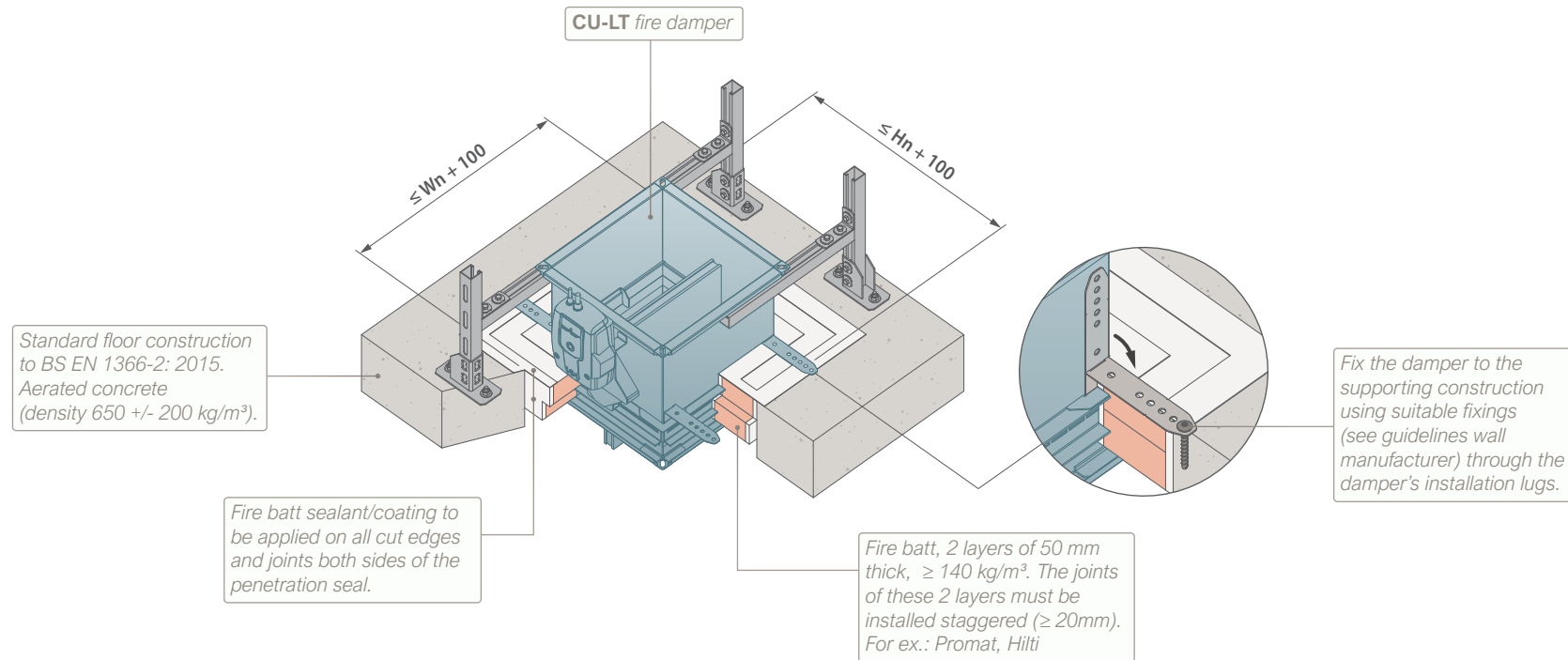


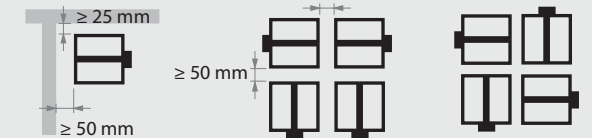
**CU-LT FIRE DAMPER**



Dimension suspension system acc. to weight and required fire resistance.

**TECHNICAL FEATURES**

- Damper range (WxH): 200x100 till 800x600.
- Damper can be installed with mechanism on either side of the supporting construction (independent of fire side).
- Please consult with the fire batt manufacturer for appropriate sealant/coating.
- For larger floor openings. See CU-LT Fire Damper Technical Datasheet.
- Fire batt sealing does not have structural integrity and will not carry any additional weight of persons or materials other than our fire damper.
- A max. of 2x2 fire dampers can be installed at tested minimal distances from an adjacent vertical (supporting) construction or another fire damper. See detailed guidelines in the CU-LT Technical Datasheet.



- To be read in conjunction with the CU-LT Fire Damper Technical Datasheet.
- Guidelines acc. to DW144/145 (not required for CE):
  - Installation lugs as shown in the drawings are available upon request.
  - Provide appropriate break-away / flexible joint between fire damper and connecting ductwork on both sides of the assembly (DW145: eg socket & spigot or flanged with appropriate fixings eg plastic cleats, clips, clamps, bolts, aluminium alloy rivets etc.).
  - Provide a panel in the adjacent ductwork to allow access to the internal components of the fire damper. Rf-T can provide an inspection opening on the damper body upon request (option UL).
  - Ductwork must be independently supported and installed (DW144).
- Dimensions in mm unless otherwise stated.

**TECHNICAL DATASHEET**



**INSPECTION AND HANDOVER CHECK LIST**



**PLAN TITLE**

CU-LT fire damper in rigid horizontal supporting construction  
Installation detail with fire batt.

**CLASSIFICATION**

EI 60/90 (ho i↔o)S

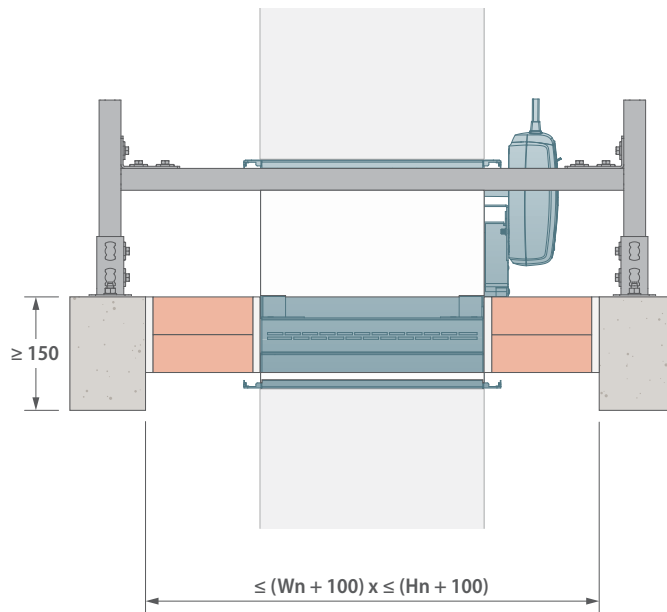
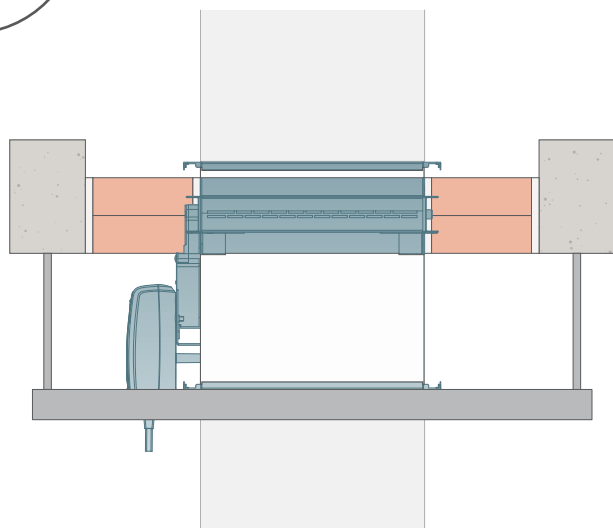
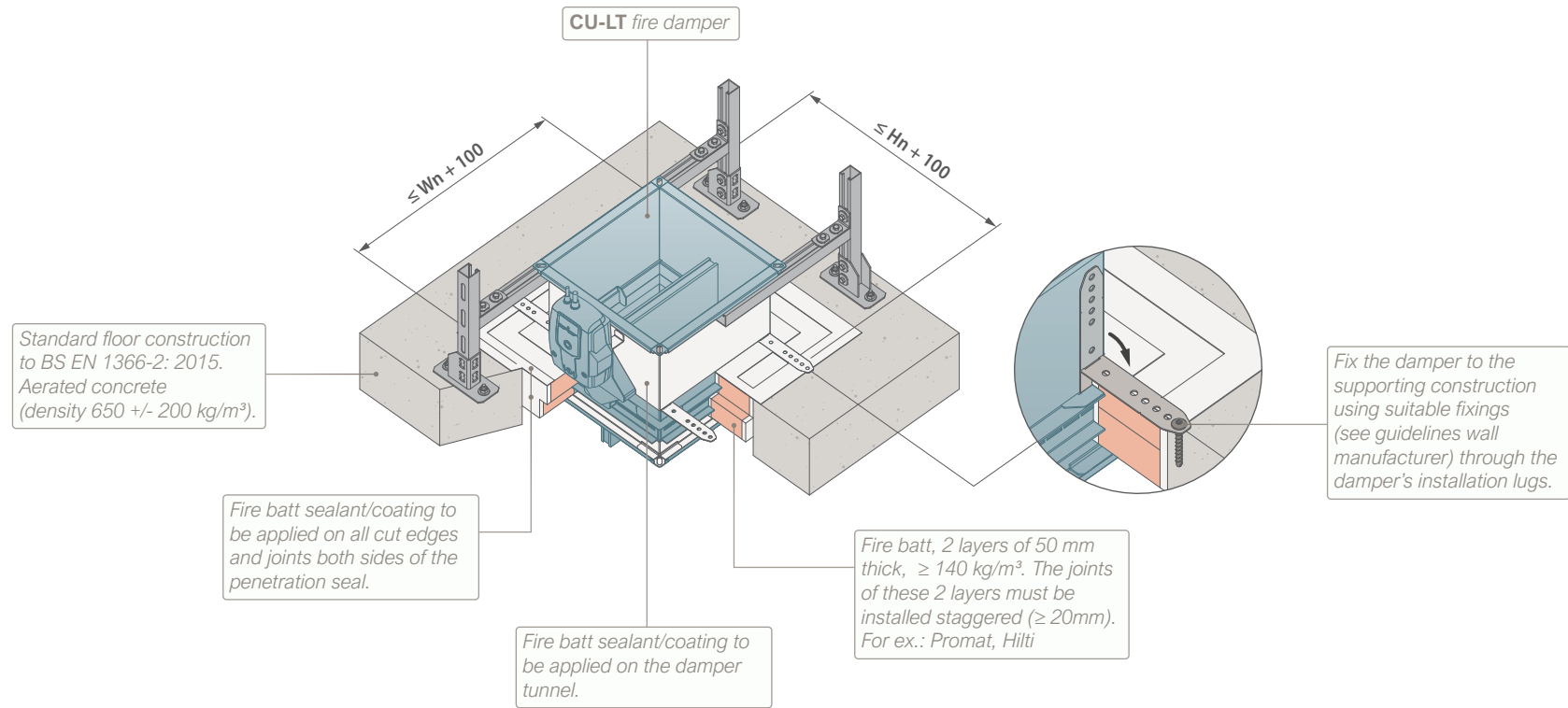


**REV**  
A

**DATE**  
27/09/2023



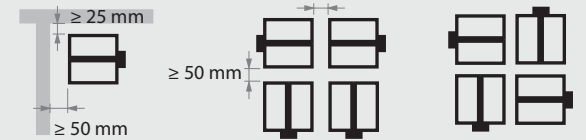
**CU-LT FIRE DAMPER**



Dimension suspension system acc. to weight and required fire resistance.

**TECHNICAL FEATURES**

- Damper range (WxH): 200x100 till 800x600.
- Damper can be installed with mechanism on either side of the supporting construction (independent of fire side).
- Please consult with the fire batt manufacturer for appropriate sealant/coating.
- For larger floor openings. See CU-LT Fire Damper Technical Datasheet.
- Fire batt sealing does not have structural integrity and will not carry any additional weight of persons or materials other than our fire damper.
- A max. of 2x2 fire dampers can be installed at tested minimal distances from an adjacent vertical (supporting) construction or another fire damper. See detailed guidelines in the CU-LT Technical Datasheet.



- To be read in conjunction with the CU-LT Fire Damper Technical Datasheet.
- Guidelines acc. to DW144/145 (not required for CE):
  - Installation lugs as shown in the drawings are available upon request.
  - Provide appropriate break-away / flexible joint between fire damper and connecting ductwork on both sides of the assembly (DW145: eg socket & spigot or flanged with appropriate fixings eg plastic cleats, clips, clamps, bolts, aluminium alloy rivets etc.).
  - Provide a panel in the adjacent ductwork to allow access to the internal components of the fire damper. Rf-T can provide an inspection opening on the damper body upon request (option UL).
  - Ductwork must be independently supported and installed (DW144).
- Dimensions in mm unless otherwise stated.

**TECHNICAL DATASHEET**



**INSPECTION AND HANDOVER CHECK LIST**



**PLAN TITLE**

CU-LT fire damper in rigid horizontal supporting construction  
Installation detail with fire batt and coating on the damper tunnel.

**CLASSIFICATION**

EI 120 (ho i↔o)S

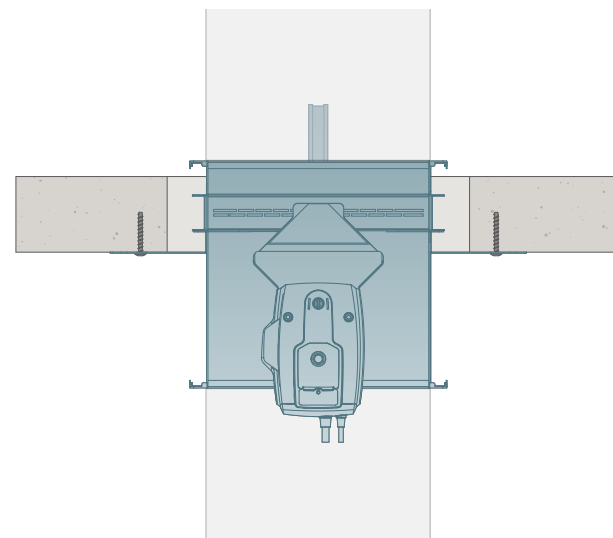
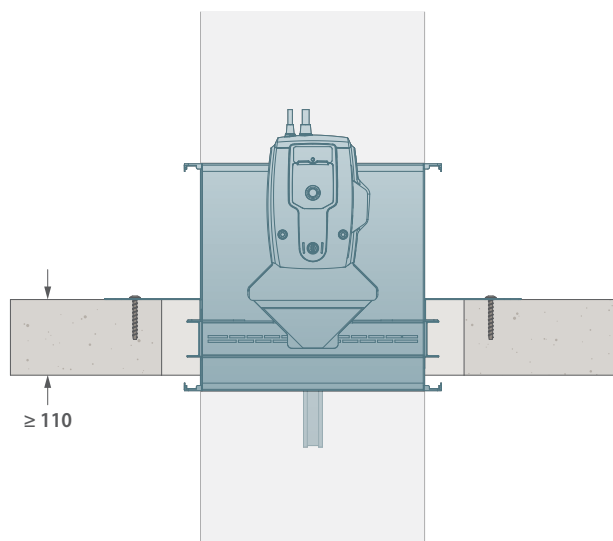
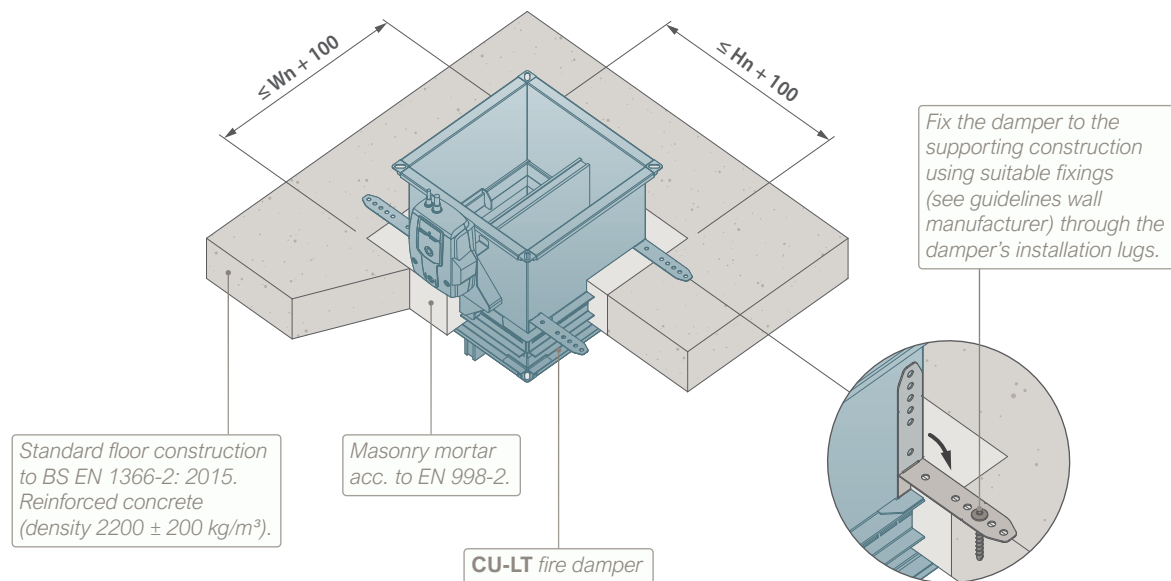


**REV**  
A

**DATE**  
27/09/2023

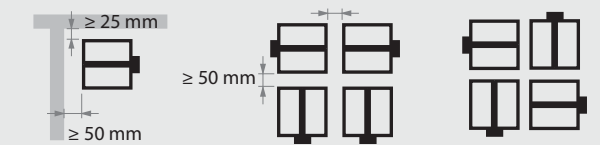


**CU-LT FIRE DAMPER**



**TECHNICAL FEATURES**

- Damper range (WxH): 200x100 till 800x600.
- Damper can be installed with mechanism on either side of the supporting construction (independent of fire side).
- A max. of 2x2 fire dampers can be installed at tested minimal distances from an adjacent vertical (supporting) construction or another fire damper. See detailed guidelines in the CU-LT Technical Datasheet.



- To be read in conjunction with the CU-LT Fire Damper Technical Datasheet.
- Guidelines acc. to DW144/145 (not required for CE):
  - Installation lugs as shown in the drawings are available upon request.
  - Provide appropriate break-away / flexible joint between fire damper and connecting ductwork on both sides of the assembly (DW145: eg socket & spigot or flanged with appropriate fixings eg plastic cleats, clips, clamps, bolts, aluminium alloy rivets etc.).
  - Provide a panel in the adjacent ductwork to allow access to the internal components of the fire damper. Rf-T can provide an inspection opening on the damper body upon request (option UL).
  - Ductwork must be independently supported and installed (DW144).
- Dimensions in mm unless otherwise stated.

**TECHNICAL DATASHEET**



**INSPECTION AND HANDOVER CHECK LIST**



**PLAN TITLE**

CU-LT fire damper in rigid horizontal supporting construction. Installation detail with mortar.

**CLASSIFICATION**

EI 60/90 (ho i↔o)S

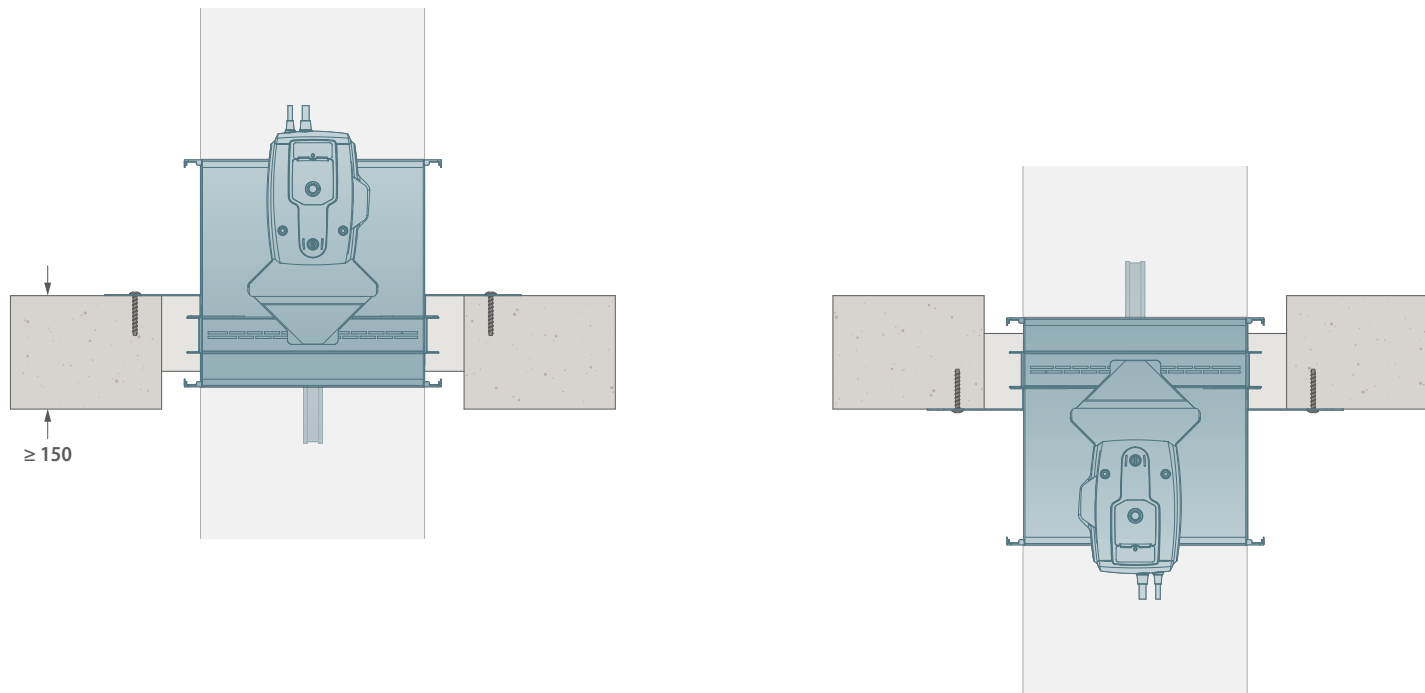
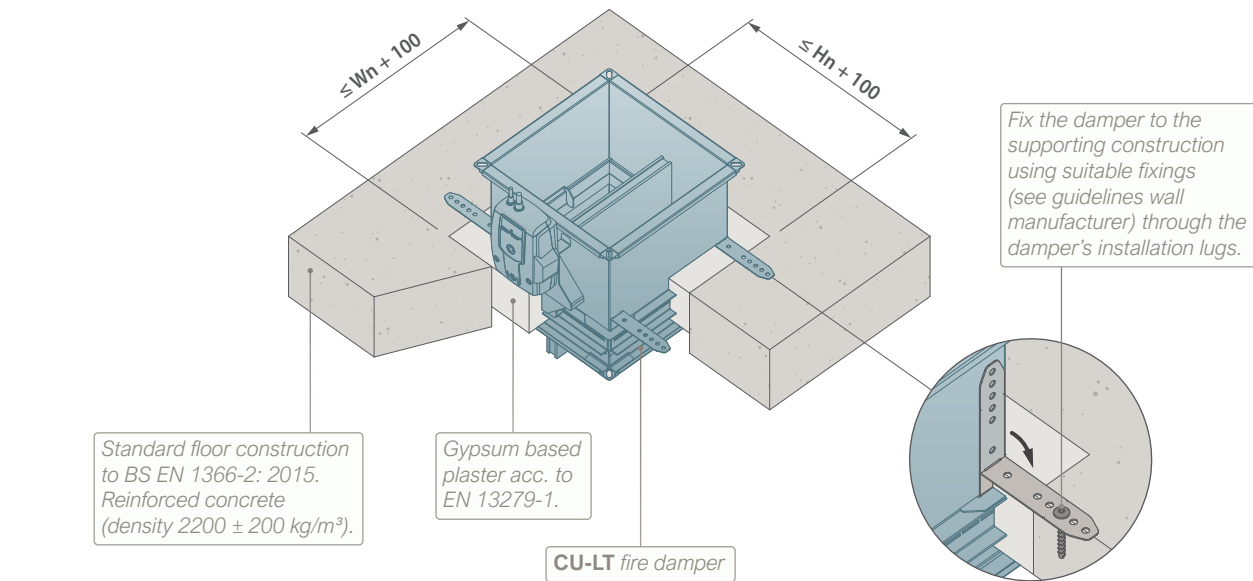


**REV**  
A

**DATE**  
27/09/2023

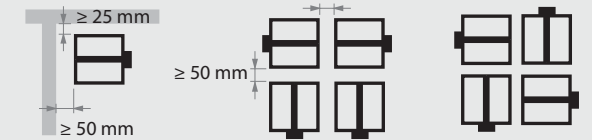


**CU-LT FIRE DAMPER**



**TECHNICAL FEATURES**

- Damper range (WxH): 200x100 till 800x600.
- Damper can be installed with mechanism on either side of the supporting construction (independent of fire side).
- A max. of 2x2 fire dampers can be installed at tested minimal distances from an adjacent vertical (supporting) construction or another fire damper. See detailed guidelines in the CU-LT Technical Datasheet.



- To be read in conjunction with the CU-LT Fire Damper Technical Datasheet.
- Guidelines acc. to DW144/145 (not required for CE):
  - Installation lugs as shown in the drawings are available upon request.
  - Provide appropriate break-away / flexible joint between fire damper and connecting ductwork on both sides of the assembly (DW145: eg socket & spigot or flanged with appropriate fixings eg plastic cleats, clips, clamps, bolts, aluminium alloy rivets etc.).
  - Provide a panel in the adjacent ductwork to allow access to the internal components of the fire damper. Rf-T can provide an inspection opening on the damper body upon request (option UL).
  - Ductwork must be independently supported and installed (DW144).
- Dimensions in mm unless otherwise stated.

**TECHNICAL DATASHEET**



**INSPECTION AND HANDOVER CHECK LIST**



**PLAN TITLE**

CU-LT fire damper in rigid horizontal supporting construction. Installation detail with gypsum based plaster.

**CLASSIFICATION**

EI 120 (ho i↔o)S



**REV**  
A

**DATE**  
27/09/2023

